



# DEUTSCH RELAYS, INC.

55 ENGINEERS RD. HAUPPAUGE, NEW YORK 11788  
 PHONE (631) 342-1700 FAX (631) 342-9310

# REC TIME DELAY RELAY

## GENERAL CHARACTERISTICS

- Metal can sealed time delay relay, with 4 PDT output
- Size (mm) : 25,0 X 37,7 X 25,7 max
- mass (gram) : 105 g max
- Timing range : 400 ms to 500 s
- Finish : tin plated
- Mating socket : SRE 610, 8200

## OPERATING CONDITIONS

- Input characteristics**
  - Supply voltage : from 21 to 32 V
  - Supply current :  $\leq 140$  mA at 28 V
  - Control voltage : Triggerring is guarantee for a pulse of 21 V during 20 ms
- Recycle time** : 50 ms mini
- Power loss** : 1 ms
- Output characteristics**
  - Contact rating : 10 or 15 A resistive load (see table)
  - (28 Vdc or 115 Vac 400 Hz) : 8 or 10 A inductive load
  - Life at rated current : 100 000 cycles

### protections

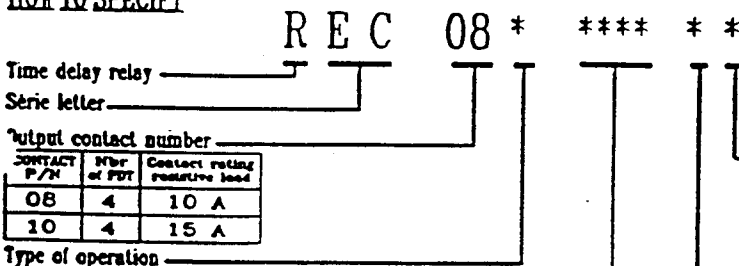
Undamaged by polarity reversal. Voltage transient per MIL STD 704, EUROCAE DO 160, AIR 2021 D including:

- Spikes  $\approx 600$  V 10  $\mu$ s
- Power voltage transient 80 V 50 ms
- Minimum voltage 8 V 5 ms

## ENVIRONMENTAL CONDITIONS

- Temperature range : see table
- Dielectric strenght
  - Between all contacts and case : 1 000 V rms
  - Insulation resistance :  $> 1$  000 M $\Omega$ ohm 500 Vdc
- Vibrations all axis : 20 g 2 000 Hz (only mounting styles 2 and 6)
- Shocks : 50 g 6 ms 1/2 sinus
- Seal test :  $1 \cdot 10^{-4}$  cm<sup>3</sup> atm / s

## HOW TO SPECIFY



CONTACT P/N	Nbr of PDT	Contact rating resistive load
08	4	10 A
10	4	15 A

- Type of operation
- A : Fixed time on operate
  - B : Adjustable with external resistor on operate, ratio 10
  - D : Fixed time on release
  - E : Adjustable with external resistor on release, ratio 10
  - J : Fixed time on release with positive control
  - L : Adjustable with external resistor on release with + control

External resistor determination

$$R_x = 10 K \left( \frac{\text{required time}}{\text{minimum time}} - 1 \right)$$

$$\text{minimum time} = \frac{\text{maximum time defined in the time code}}{10}$$

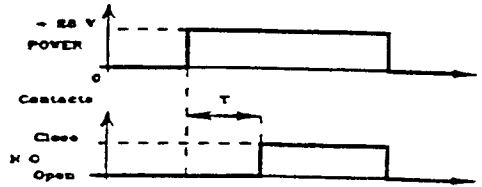
Time code

Four coded digits with the following meaning

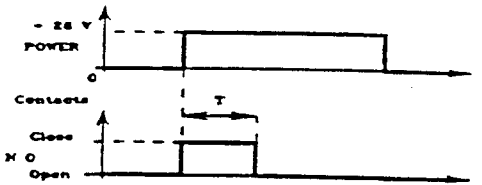
- first three digits, base time in milliseconds
- last digit, number of zero to add to base time
- ex : 300 ms : code 3000

## TIMING DIAGRAMS

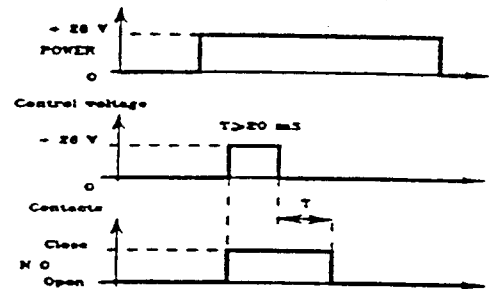
-Time delay on operate ( code A and B )



-Time delay on release ( code D and E )



- Time delay on release with positive control ( code J and L )



Mounting style and Header type see page 2 et 3

CODE	MOUNTING	HEADER
A	1	E
B	2	B
C	4	A
D	6	B
F	2	A

Accuracy and temperature range

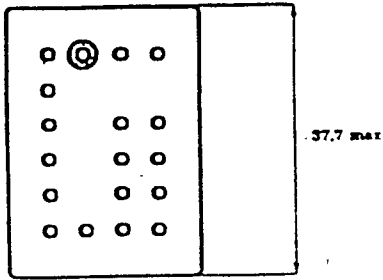
CODE NUMBER	ACCURACY	TEMPERATURE RANGE
B	+ 10 %	- 40 °C to + 85 °C
C	+ 10 %	- 55 °C to +125 °C
E	+ 5 %	- 40 °C to +85 °C
F	+ 5 %	- 55 °C to +125 °C
H	+ 3 %	- 55 °C to + 85 °C



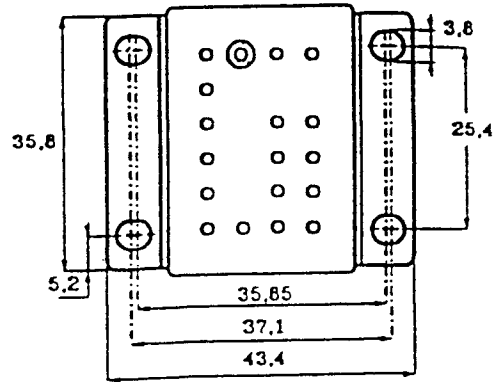
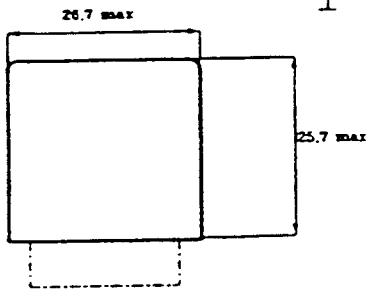
DEUTSCH RELAYS, INC.  
55 ENGINEERS RD. HAUPPAUGE, NEW YORK 11788  
PHONE (631) 342-1700 FAX (631) 342-9310

# REC TIME DELAY RELAY

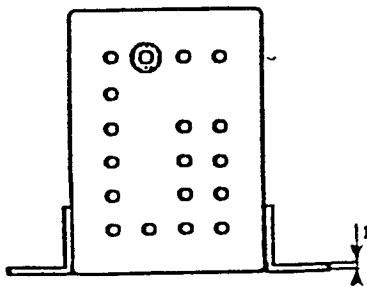
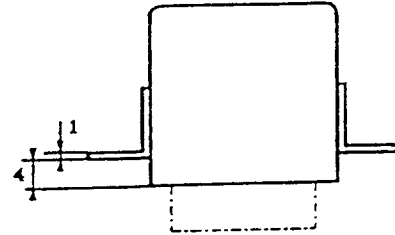
## MOUNTING STYLES



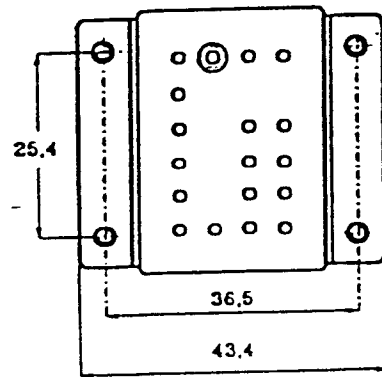
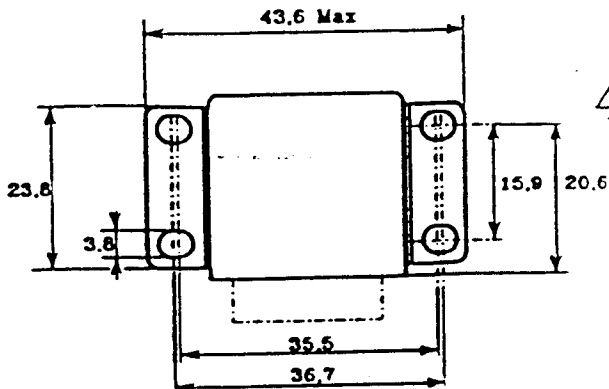
1



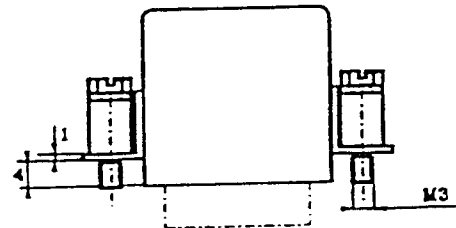
2



4



6

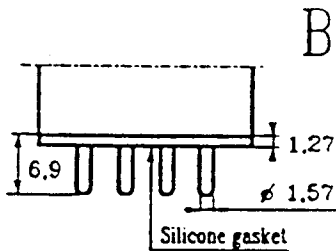
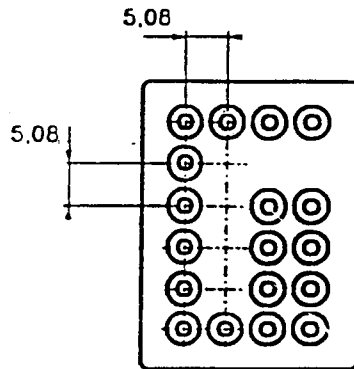
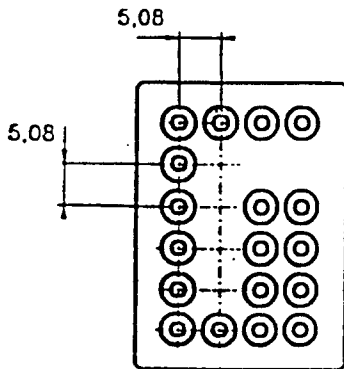




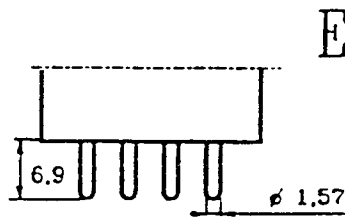
DEUTSCH RELAYS, INC.  
 55 ENGINEERS RD. HAUPPAUGE, NEW YORK 11788  
 PHONE (631) 342-1700 FAX (631) 342-9310

# REC TIME DELAY RELAY

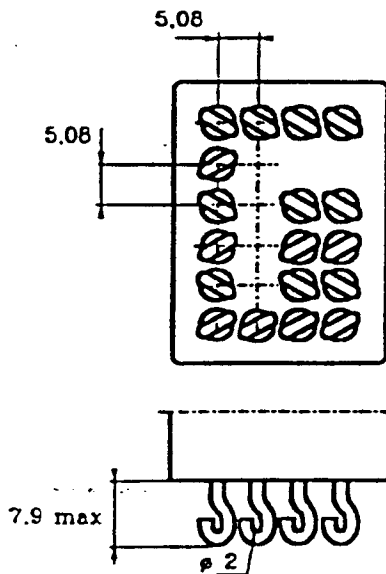
## HEADER TERMINAL STYLES



GOLD PLATED PINS  
 PLUG-IN ON SOCKET



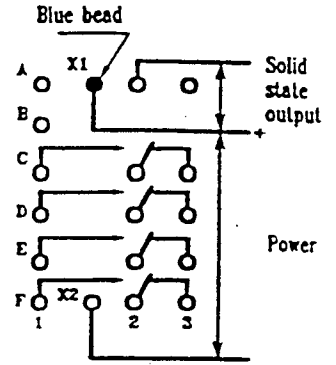
TINNED TERMINAL  
 PCB MOUNTING



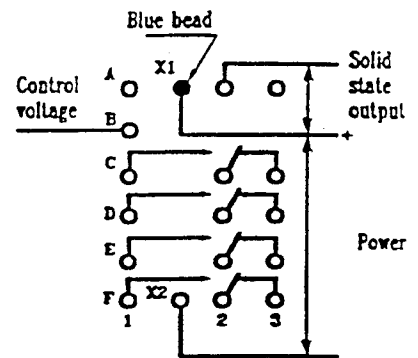
SOLDER HOOKS

A

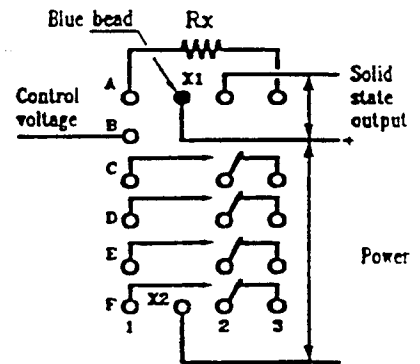
## CIRCUIT DIAGRAM terminal view



FIXED TIME



FIXED TIME



ADJUSTABLE  
 WITH EXTERNAL RESISTOR